



---

## Standard Performance

Accuracy rating:  $\pm 0.3\%$  of span; accuracy is not guaranteed for output levels less than 0.5% of the span of a 0 to X mA output range type.

Response speed: 2.4 sec, 63% response (10 to 90%)

Effects of power line regulation: Up to  $\pm 0.2\%$  of span for the regulation within allowable range of each supply voltage range.

Effects of ambient temperature variations: Up to  $\pm 0.2\%$  of span per  $10^{\circ}\text{C}$

## Conformance to EMC Standards

Applicable EMC standard: EN61326

CE-certified models mean those which are CE certified on condition that they be operated over a supply voltage range of 15~30 V DC ( $\pm 20\%$ ) only.

## Power Supply and Isolation

Supply rated voltage range: 100-240 V AC/DC 50/60Hz or 15-30 V DC

Supply input voltage range: 100-240 V AC/DC (-15, +10%) 50/60Hz or 15-30 V DC ( $\pm 20\%$ )

Power consumption: 5.4VA at 100VAC; 7.5VA at 200VAC

Current consumption: 122mA at 24VDC

Insulation resistance: 100 M $\Omega$  minimum at 500V DC between input, output-1, output-2, power supply and grounding terminals mutually

Withstanding voltage: 2000 V AC for one minute between input, (output-1 and output-2), power supply and grounding terminals mutually; 1000 V AC for one minute between output-1 and output-2 terminals

## Environmental Conditions

Operating temperature range: 0 to  $50^{\circ}\text{C}$

Operating humidity range: 5 to 90% RH (no condensation)

Operating conditions: Avoid installation in such environments as corrosive gas like sulfide hydrogen, dust, sea breeze and direct sunlight.

Installation altitude: 2000 m or less above sea level.

## Mounting and Appearance

Material: Modified polyphenylene oxide (casing)

Mounting method: Wall or DIN rail mounting

Connection method: M3 screw terminals

External dimensions: 76(H) $\times$ 29.5(W) $\times$ 124.5(D) mm (including a socket)

Weight: Approx. 116g (main unit), approx. 51g (socket)

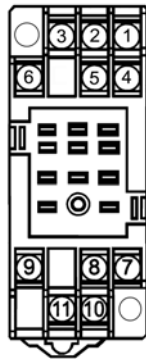
## Customized Signal Specifications

Table 1. Manufacturable Ranges

	Current Signal	Voltage Signal
Input range (AC)	-	0 to 150 V
Span (AC)	-	16mV to 150 V
Zero elevation	-	0% only
Output range (DC)	0 to 24 mA	-10 to +10 V
Span (DC)	1 to 24 mA	10mV to 20 V
Zero elevation	0 to 200 %	-100% to +200%



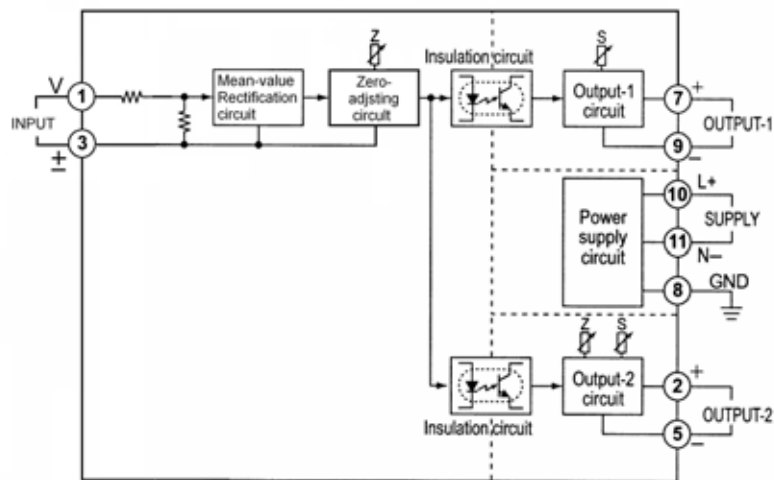
## Terminal Assignments



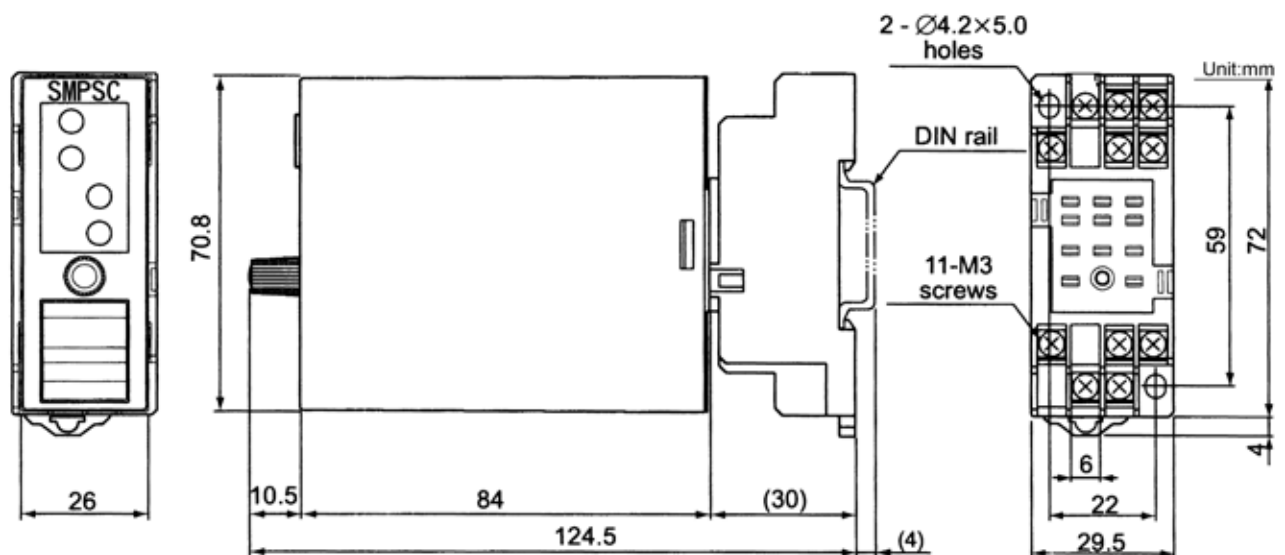
1	INPUT	(+)
2	OUTPUT-2	(+)
3	INPUT	(-)
4	N.C.	
5	OUTPUT-2	(-)
6	N.C.	
7	OUTPUT-1	(+)
8	GND	
9	OUTPUT-1	(-)
10	SUPPLY	(L+)
11	SUPPLY	(N-)

Note: For single-output type, OUTPUT2 is N.C.

## Block Diagram



## External Dimensions



The information covered in this document is subject change without notice for reasons of improvements in quality and/or performance.

