

General Specifications

Model CCA4
Distributor (non-isolated)

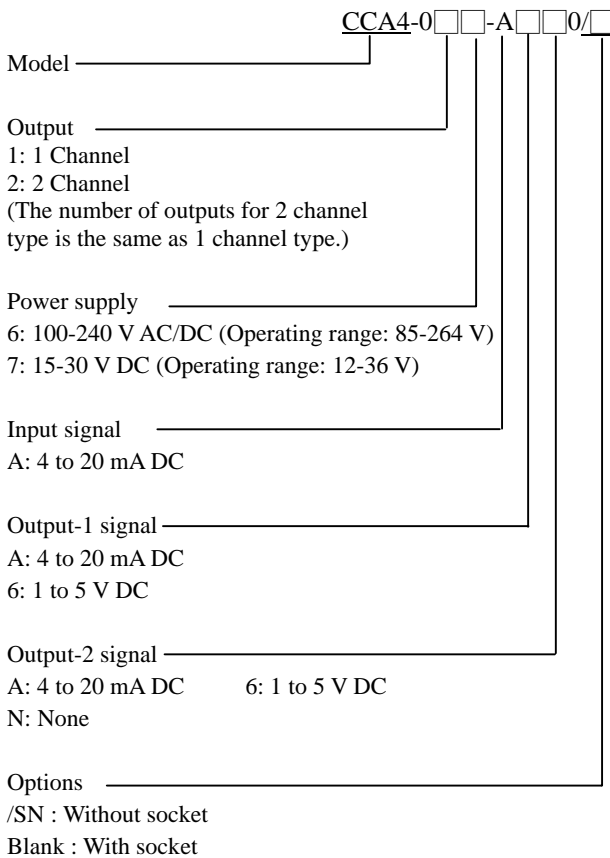
SMPSC

◆General

This plug-in type distributor is used in combination with 2-wire type transmitters and converts 4 to 20 mA DC signals into DC current or DC voltage signals. The input/output signal is nonisolated.

- One-channel or two-channel type can be selected.

◆Model and Suffix Codes



◆Input/Output Specifications

Input single: 4 to 20 mA DC signal from two-wire type transmitter

Input resistance: 250

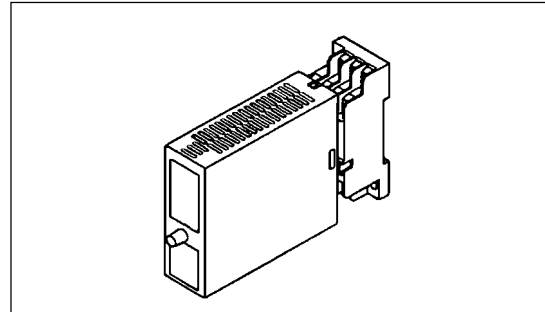
Transmitter power supply: 24 ± 0.5 V DC

Allowable conductor resistance (RL): Up to $[(20 - \text{transmitter's minimum operating voltage}) / 0.02 \text{ A}] \Omega$

Maximum allowable input current: 40 mA DC

Output signal: DC voltage or DC current signal

Output signal: 4 to 20 mA DC or 1 to 5 V DC



◆Standard Performance

Accuracy rating: $\pm 0.1\%$ of span

Effect of Power Supply Voltage Fluctuation: $\pm 0.1\%$ or less of span for power supply voltage fluctuation of 85 to 264 V AC (47 to 63 Hz)/DC and 12 to 36 V DC

Effect of Ambient Temperature Change: $\pm 0.2\%$ or less of span for change of 10 °C

◆Safety and EMC Standards

Applicable EMC standard: EN61326

CE-certified models mean those which are CE certified on condition that they be operated over a supply voltage range of 15~30 V DC ($\pm 20\%$) only.

◆Power Supply and Isolation

Supply rated voltage range: 100-240 V AC/DC 50/60Hz or 15-30 V DC

Supply input voltage range: 100-240 V AC/DC (-15, +10%) 50/60Hz or 15-30 V DC ($\pm 20\%$)

Power consumption: 2.2W at 24V DC; 2.1W at 110 V DC; 4.2 VA at 100V AC; 6.1VA at 200 V AC

Insulation resistance: 100 M Ω /500V DC between channel 2, power supply and ground mutually

Withstanding voltage: 2000 V AC/minute between (channel 1, channel 2), power supply and ground mutually; 1000 V AC/minute between channel 1 and channel 2.

◆Environmental Conditions

Operating temperature range: 0 to 50

Operating humidity range: 5 to 90% RH (no condensation)

Operating conditions: Avoid installation in such environments as corrosive gas like sulfide hydrogen, dust, sea breeze and direct sunlight.

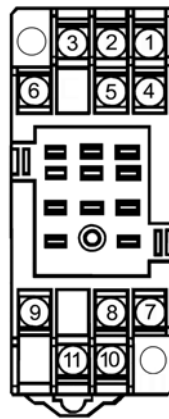
Installation altitude: 2000 m or less above sea level.



◆ Mounting and Appearance

Material: Modified polyphenylene oxide (casing)
 Mounting method: Wall or DIN rail mounting
 Connection method: M3 screw terminals
 External dimensions: 76(H)×29.5(W)×124.5(D)
 mm (including a socket)
 Weight: Approx. 116g (main unit), approx. 51g (socket)

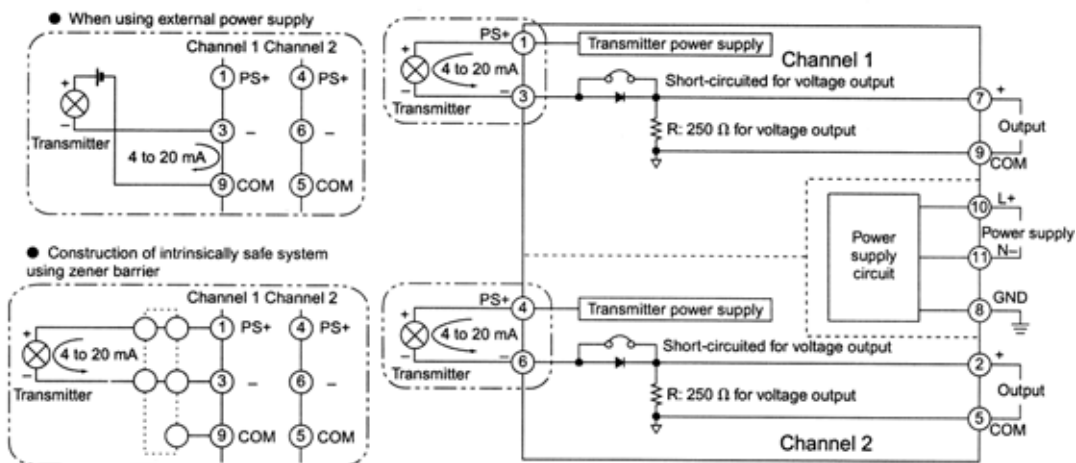
◆ Terminal Arrangement



Terminal NO.	Signal
1	Input (PS+) for channel 1
2	Output (+) for channel 2
3	Input (-) for channel 1
4	Input (PS+) for channel 2
5	COM for channel 2
6	Input (-) for channel 2
7	Output (+) for channel 1
8	GND
9	COM for channel 1
10	Power supply (L+)
11	Power supply (N-)

Note 1: With channel 1 type, terminals for channel 2 are not connected.

◆ Block Diagram



◆ External Dimensions

